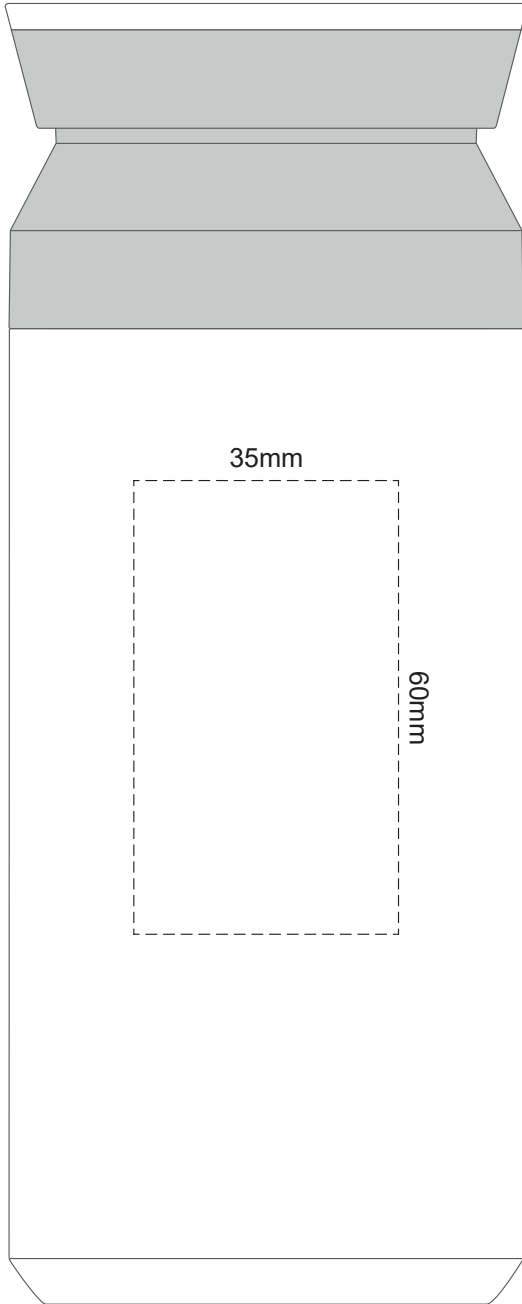
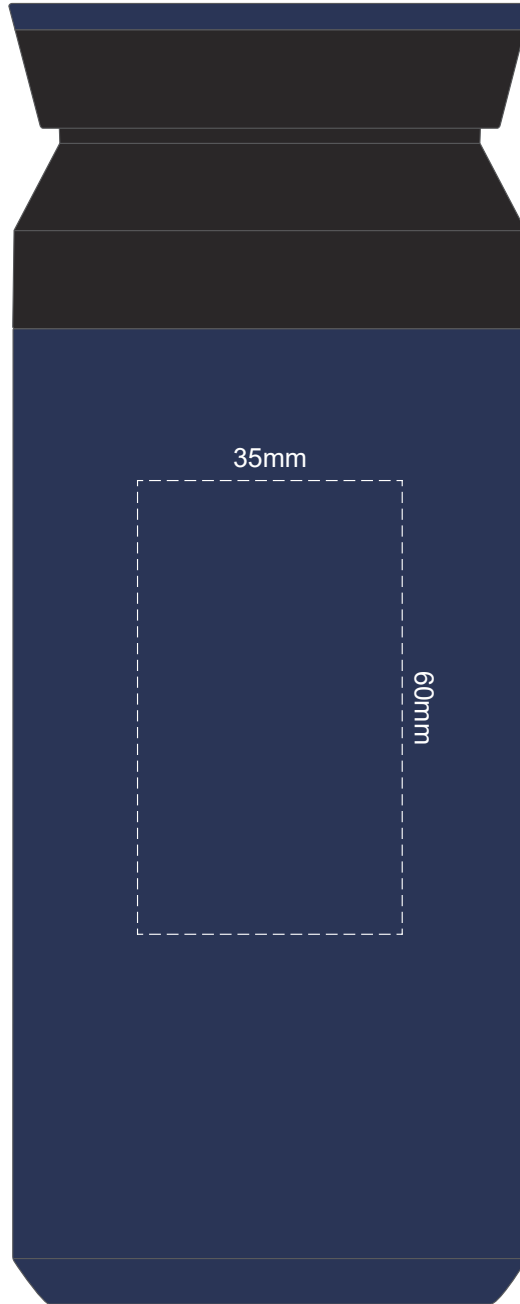


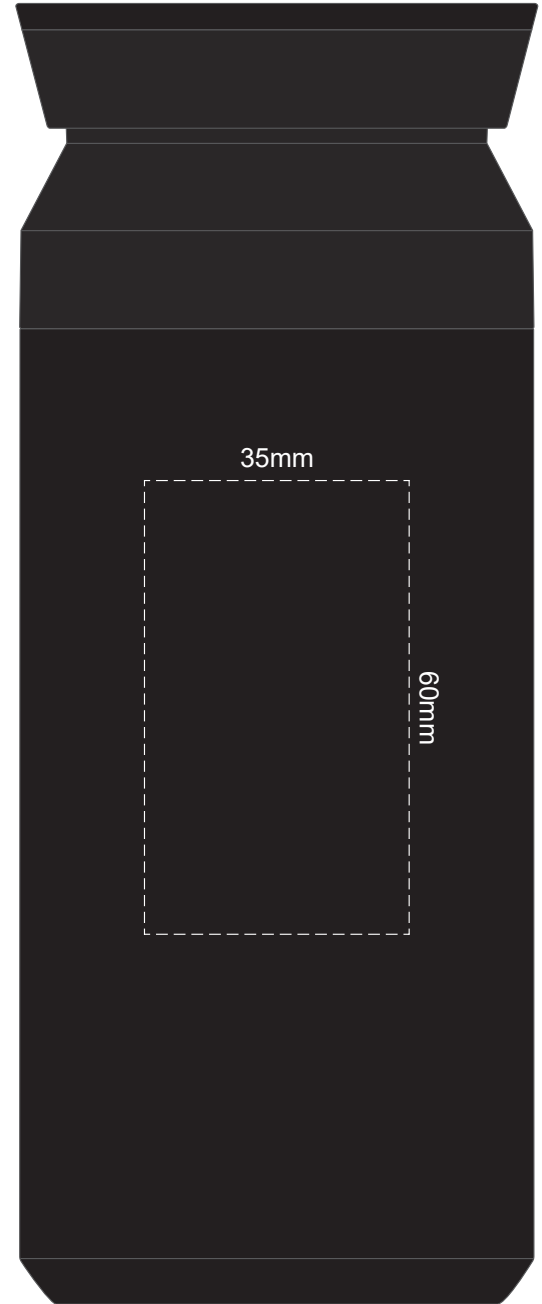
100% of Actual Size  
Pad Print



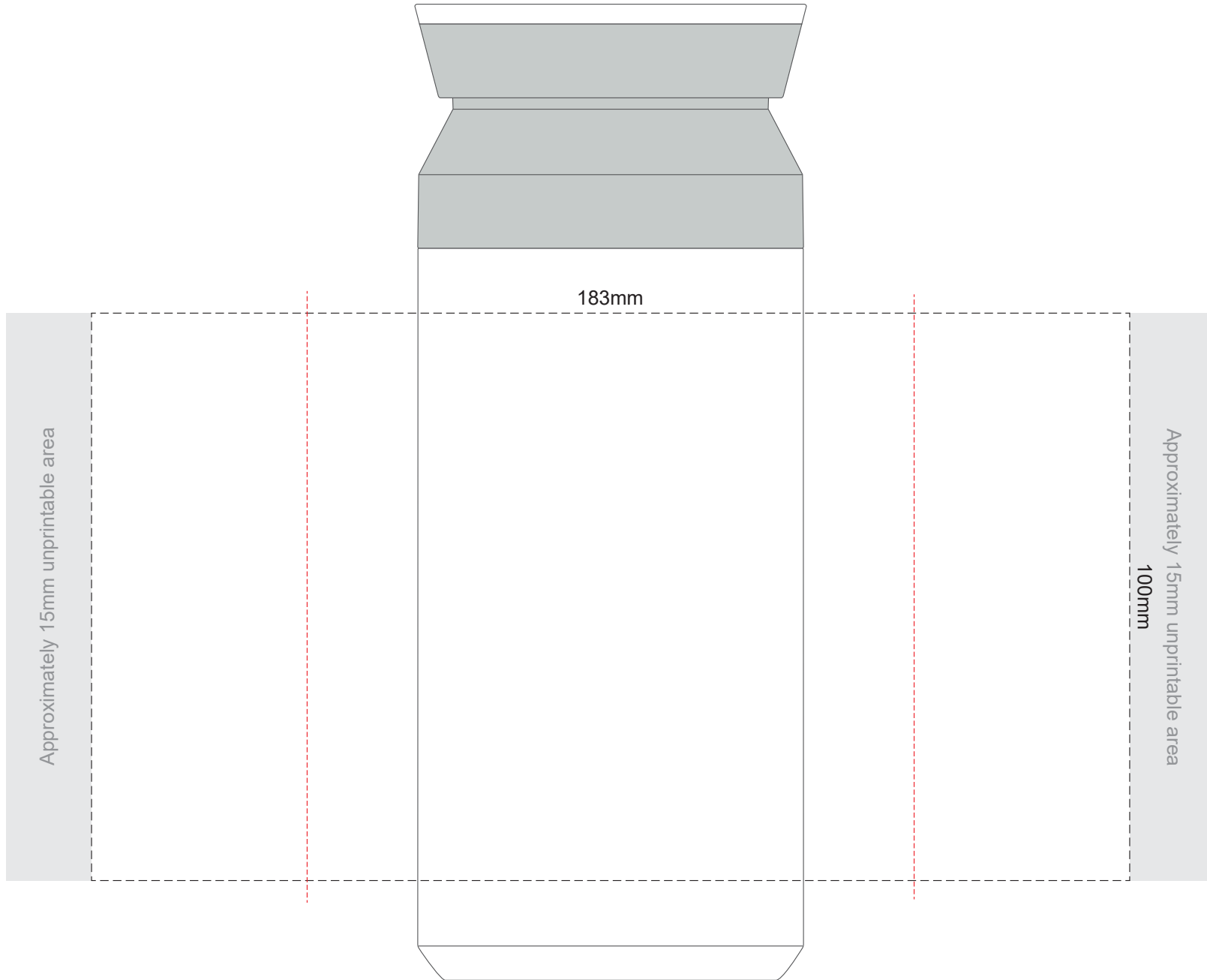
100% of Actual Size  
Pad Print



100% of Actual Size  
Pad Print

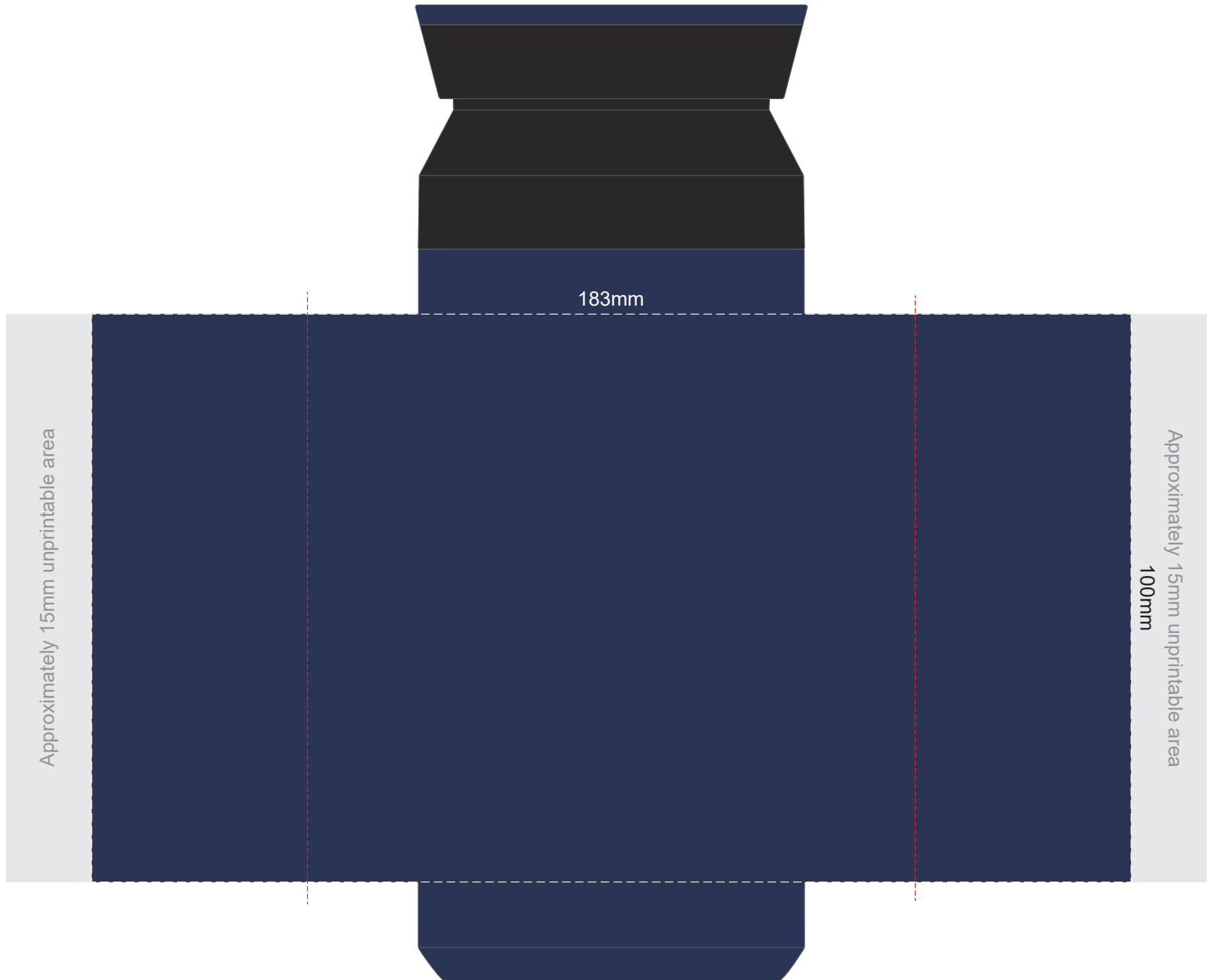


100% of Actual Size  
Screen Print (one colour)



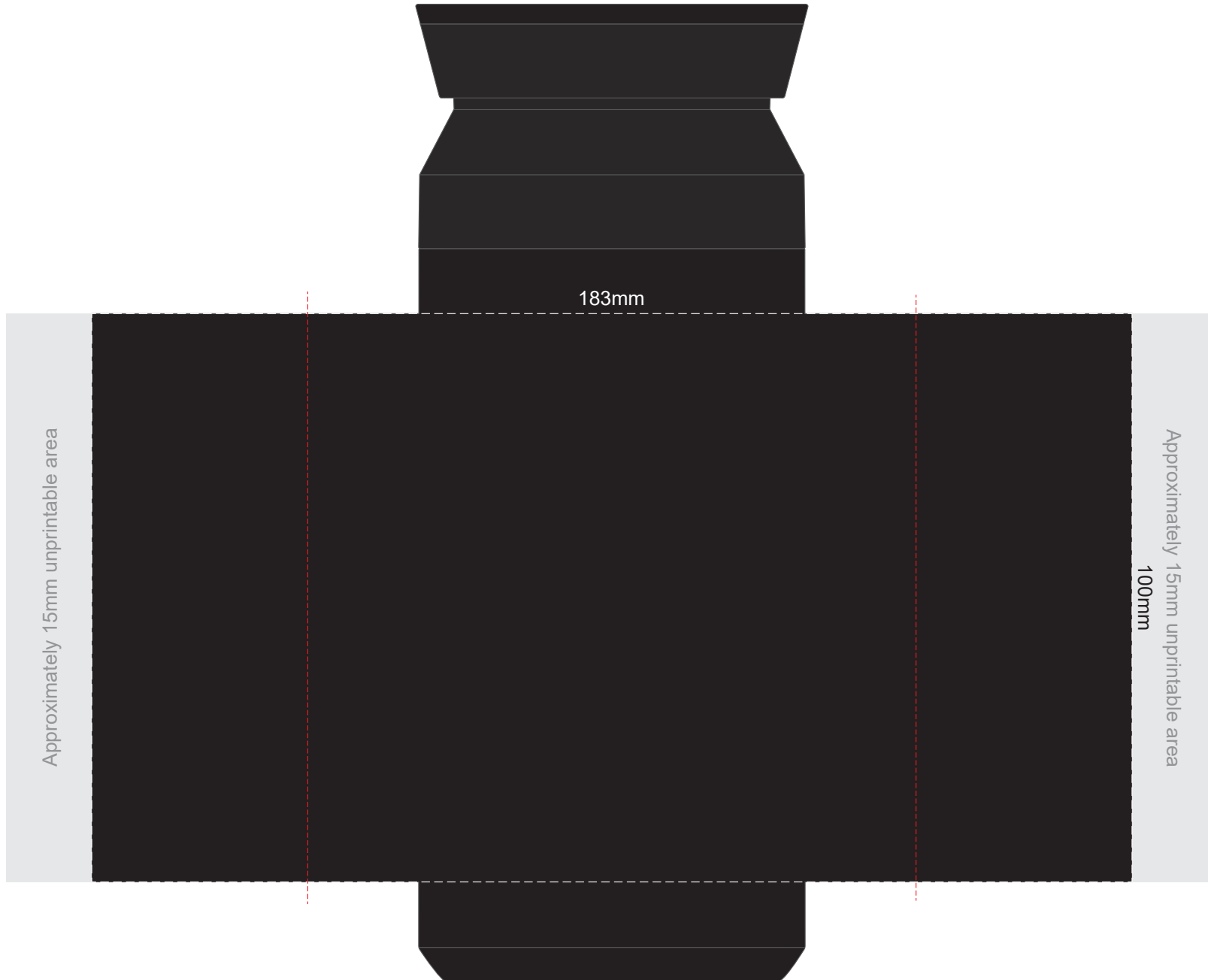
Red Line = Exact opposites of the product  
(centre artwork to the red line)

100% of Actual Size  
Screen Print (one colour)



Red Line = Exact opposites of the product  
(centre artwork to the red line)

100% of Actual Size  
Screen Print (one colour)



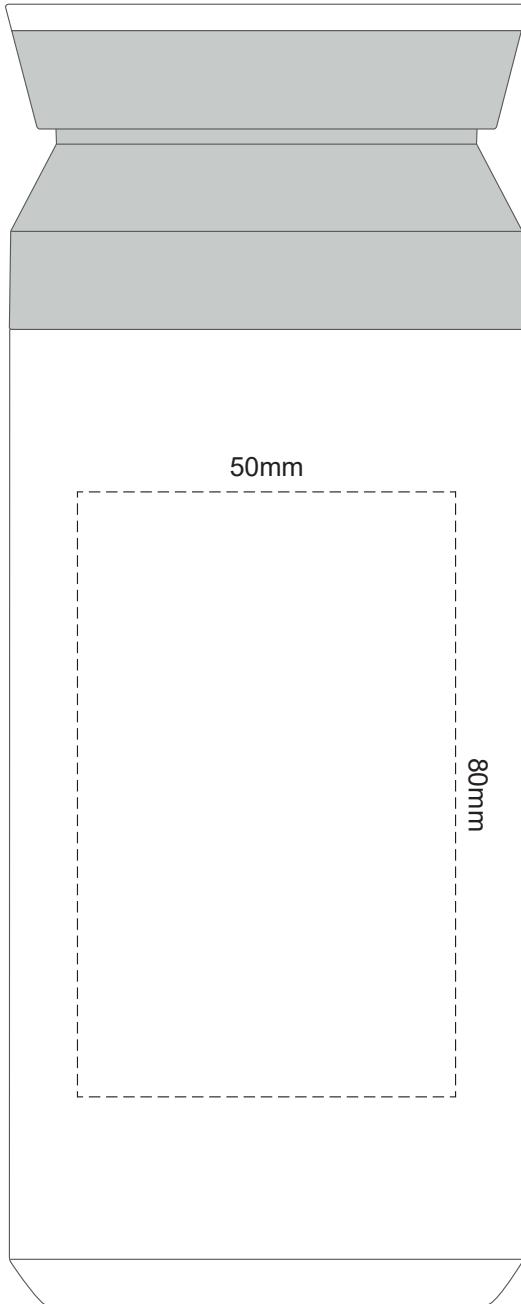
183mm

Approximately 15mm unprintable area

Approximately 15mm unprintable area  
100mm

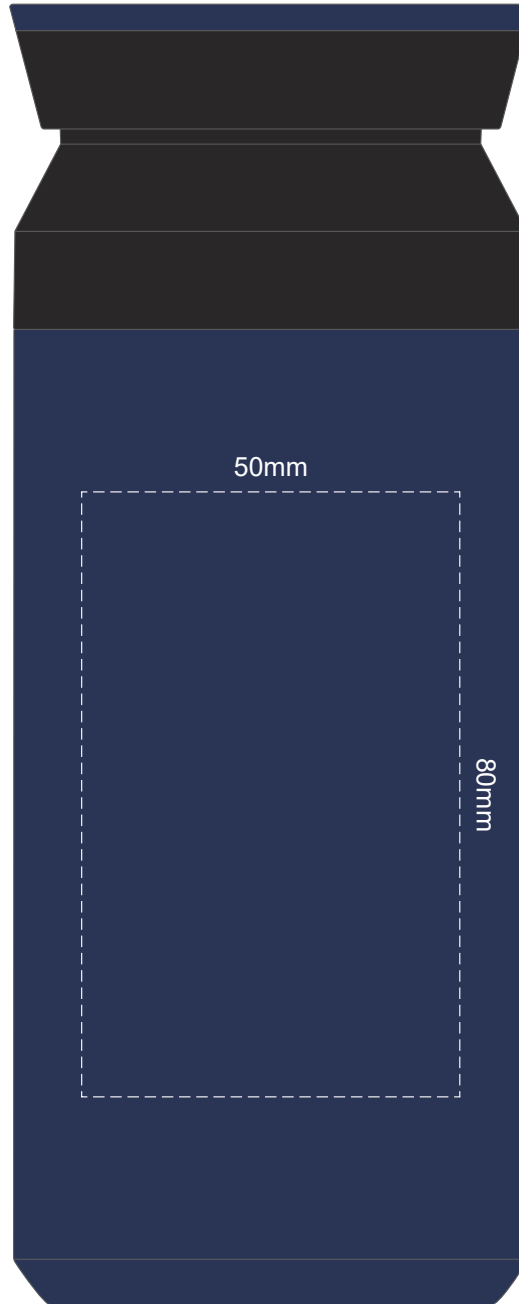
Red Line = Exact opposites of the product  
(centre artwork to the red line)

100% of Actual Size  
Laser Engraving



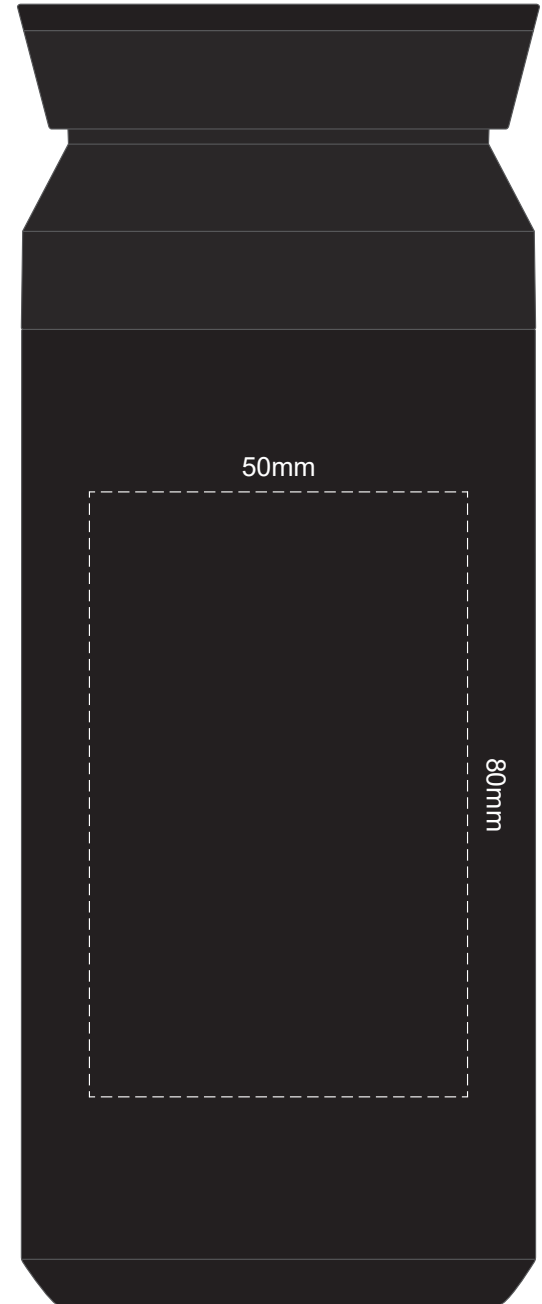
Engraves to a Shiny Steel Finish

100% of Actual Size  
Laser Engraving



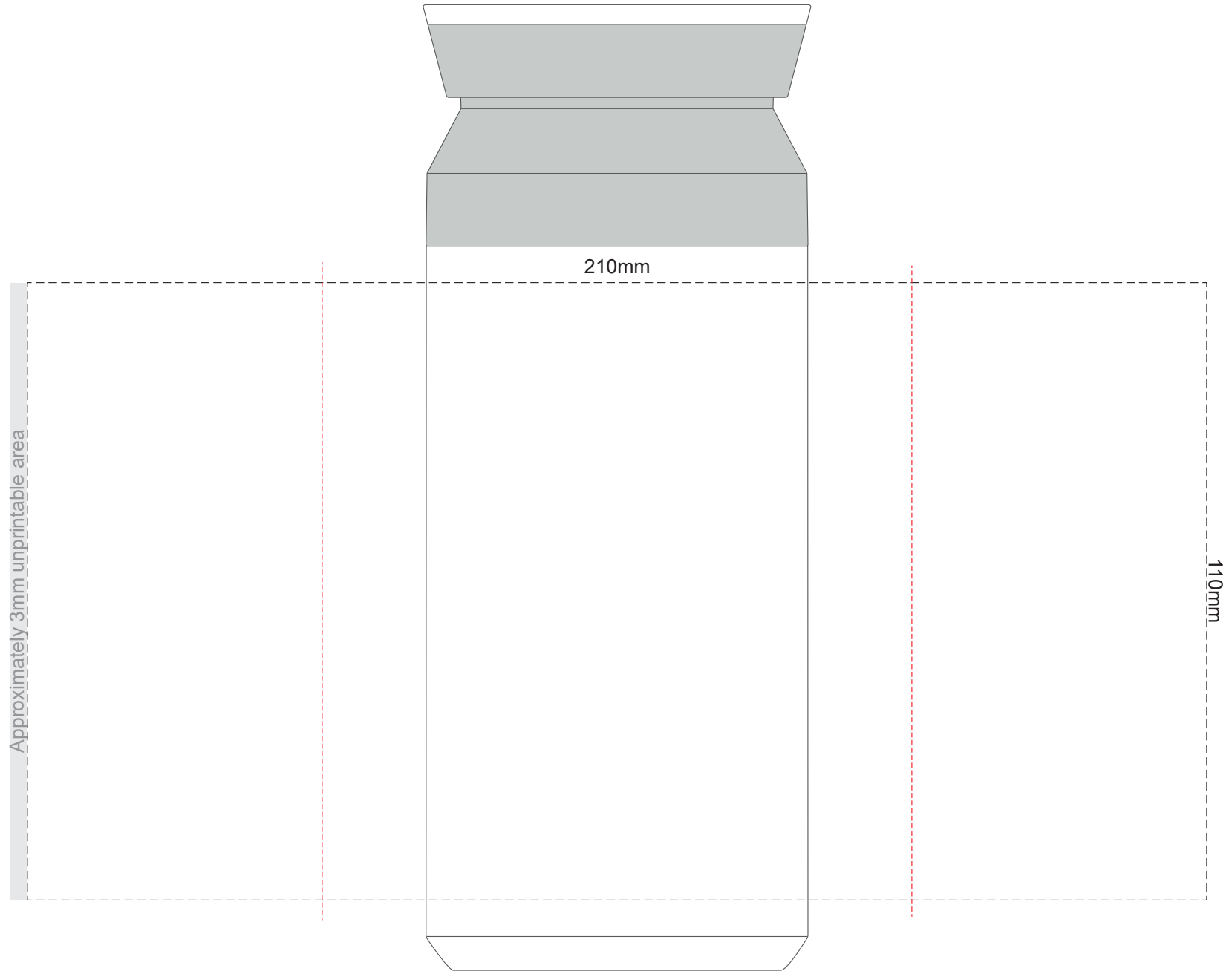
Engraves to a Shiny Steel Finish

100% of Actual Size  
Laser Engraving



Engraves to a Shiny Steel Finish

100% of Actual Size  
Digital Rotary  
(Gloss Finish)



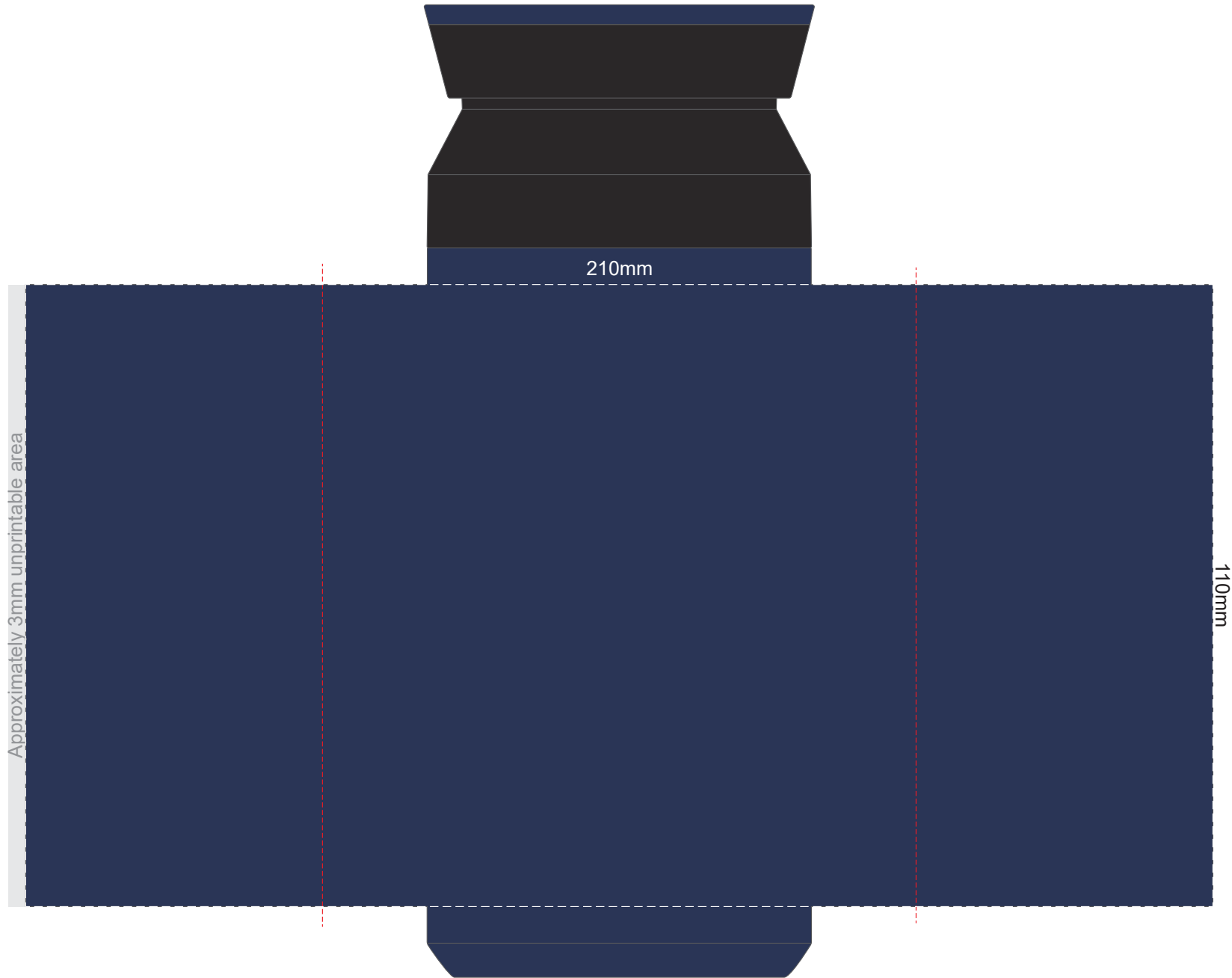
210mm

110mm

Approximately 3mm unprintable area

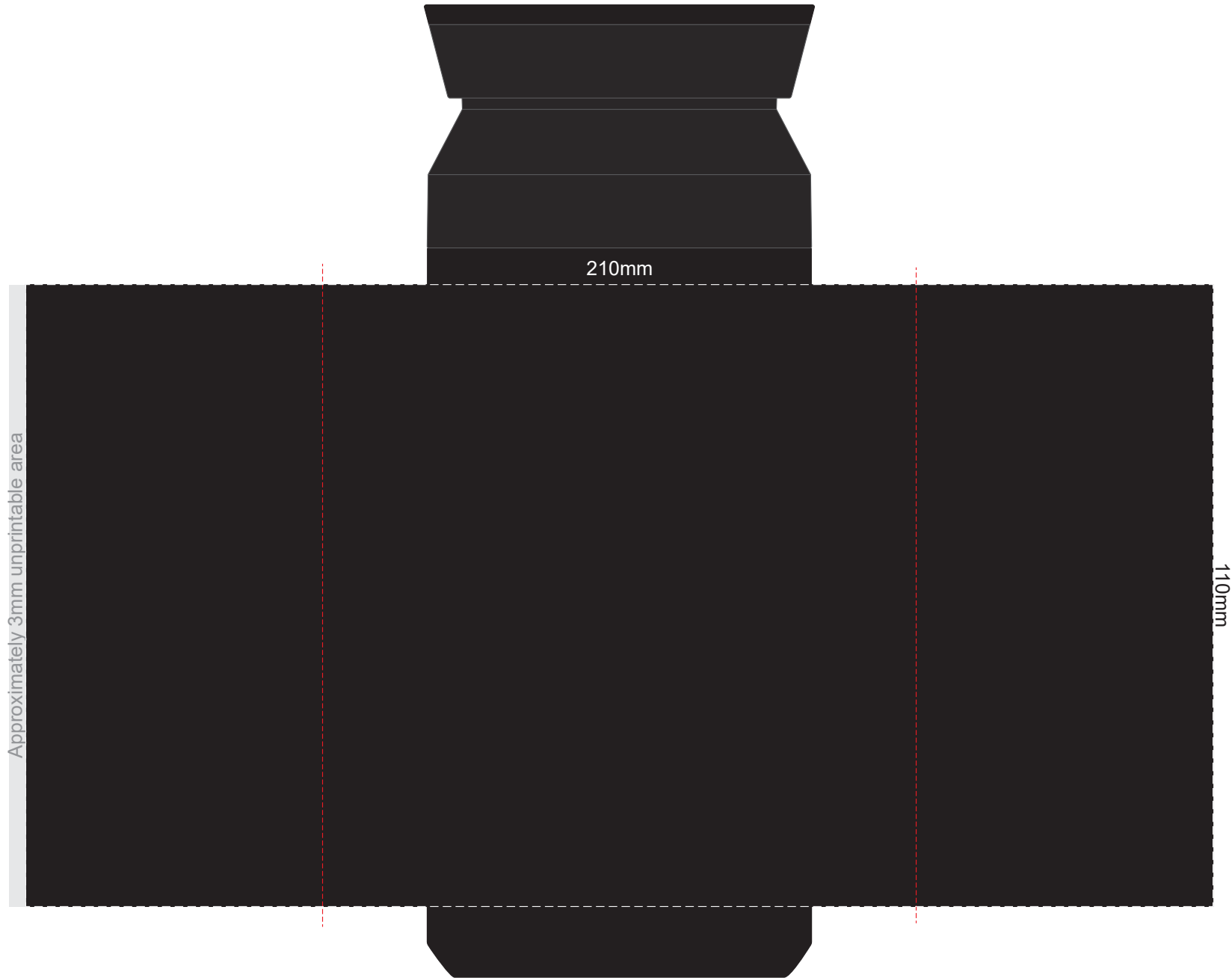
Red Line = Exact opposites of the product  
(centre artwork to the red line)

100% of Actual Size  
Digital Rotary  
(Gloss Finish)



Red Line = Exact opposites of the product  
(centre artwork to the red line)

100% of Actual Size  
Digital Rotary  
(Gloss Finish)



210mm

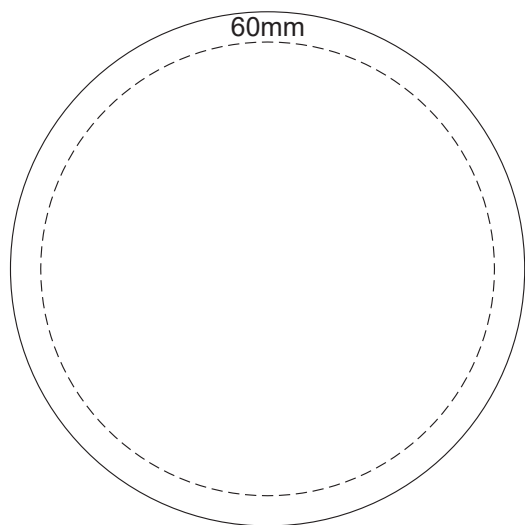
110mm

Approximately 3mm unprintable area

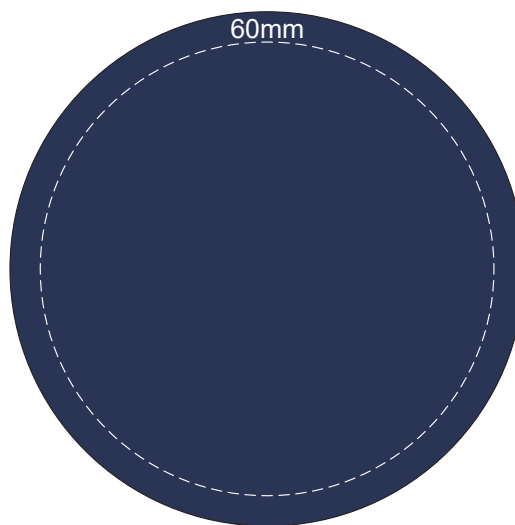
Red Line = Exact opposites of the product  
(centre artwork to the red line)



100% of Actual Size  
Direct Digital - Top of Lid



100% of Actual Size  
Direct Digital - Top of Lid



100% of Actual Size  
Direct Digital - Top of Lid

