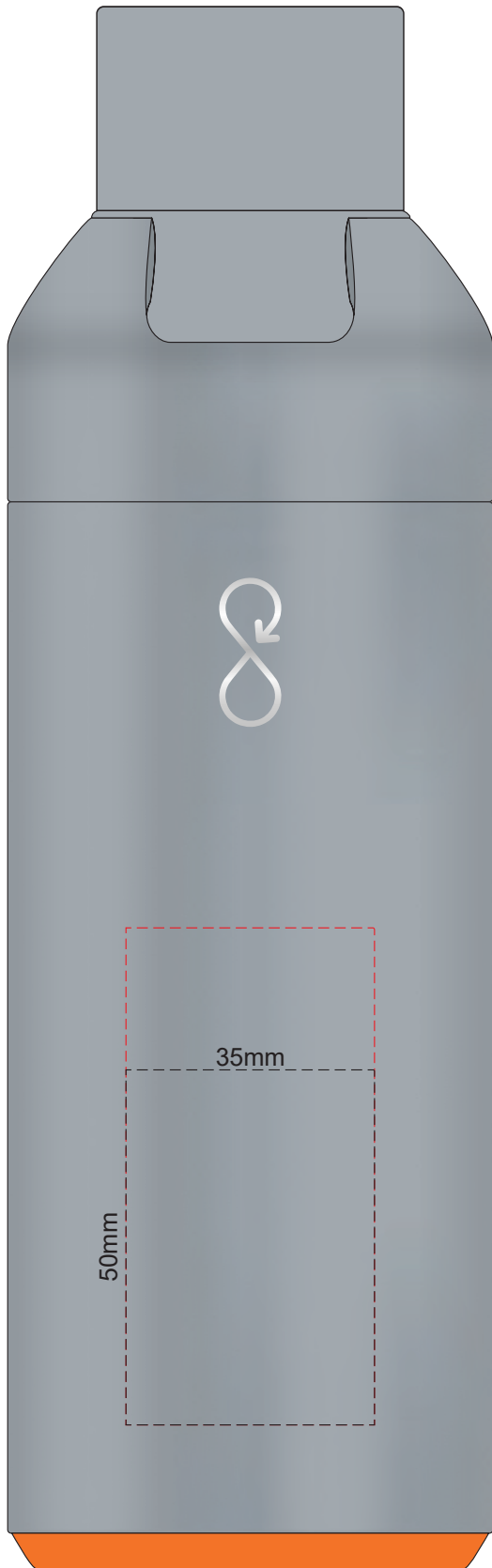
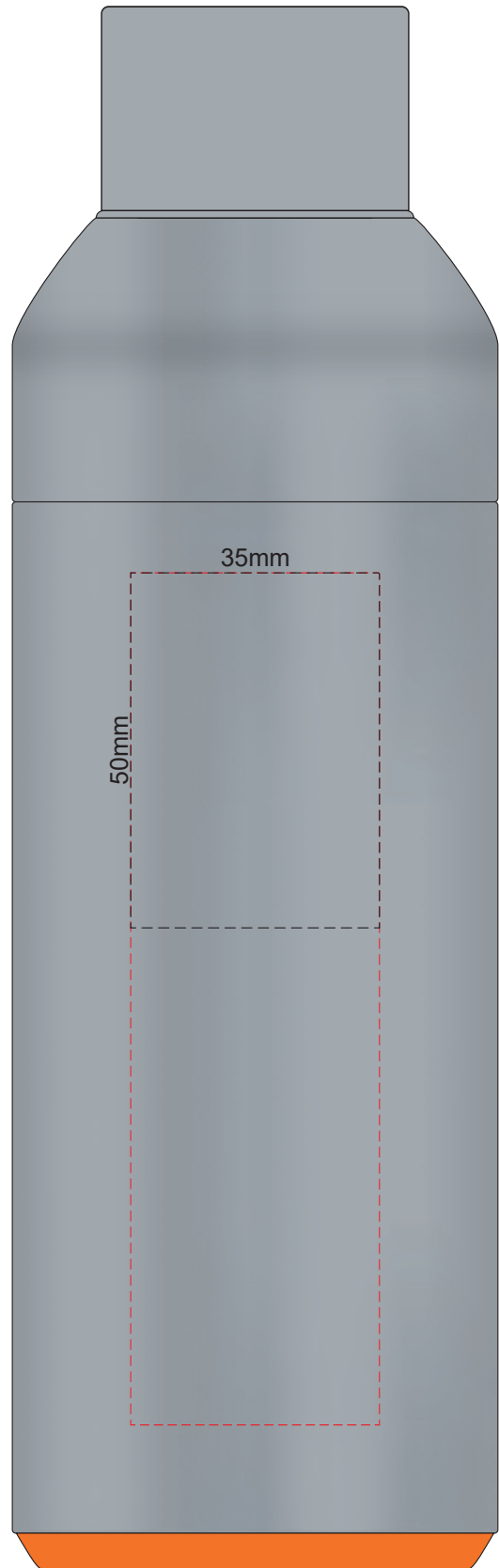




100% of Actual Size  
Pad Print



FRONT

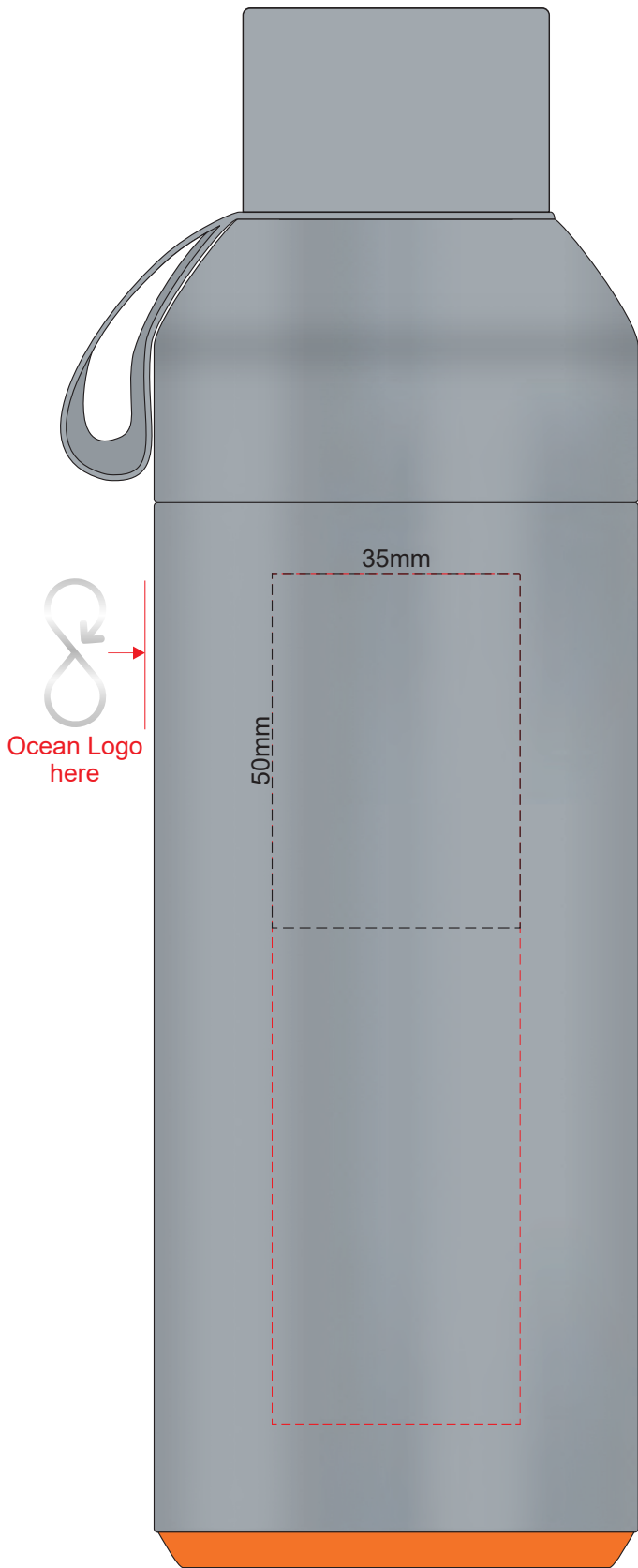


BACK

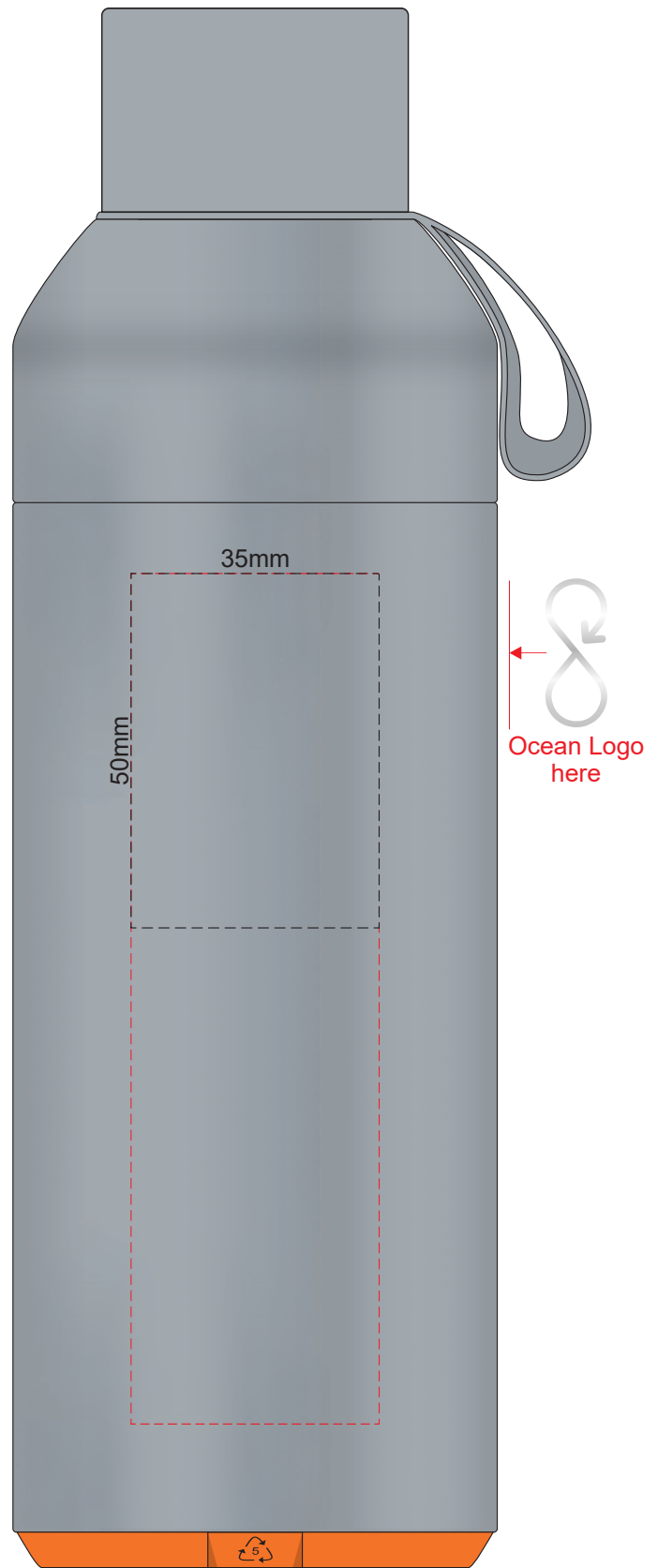
Branding area can be moved anywhere within the red line.



100% of Actual Size  
Pad Print



SIDE 1

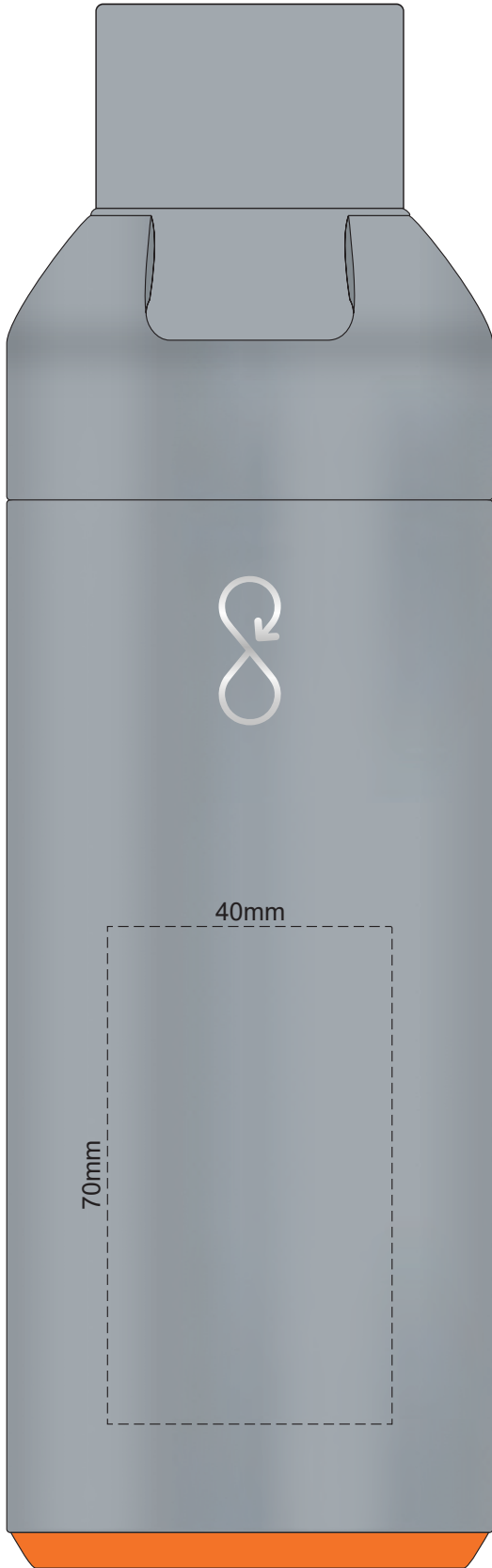


SIDE 2

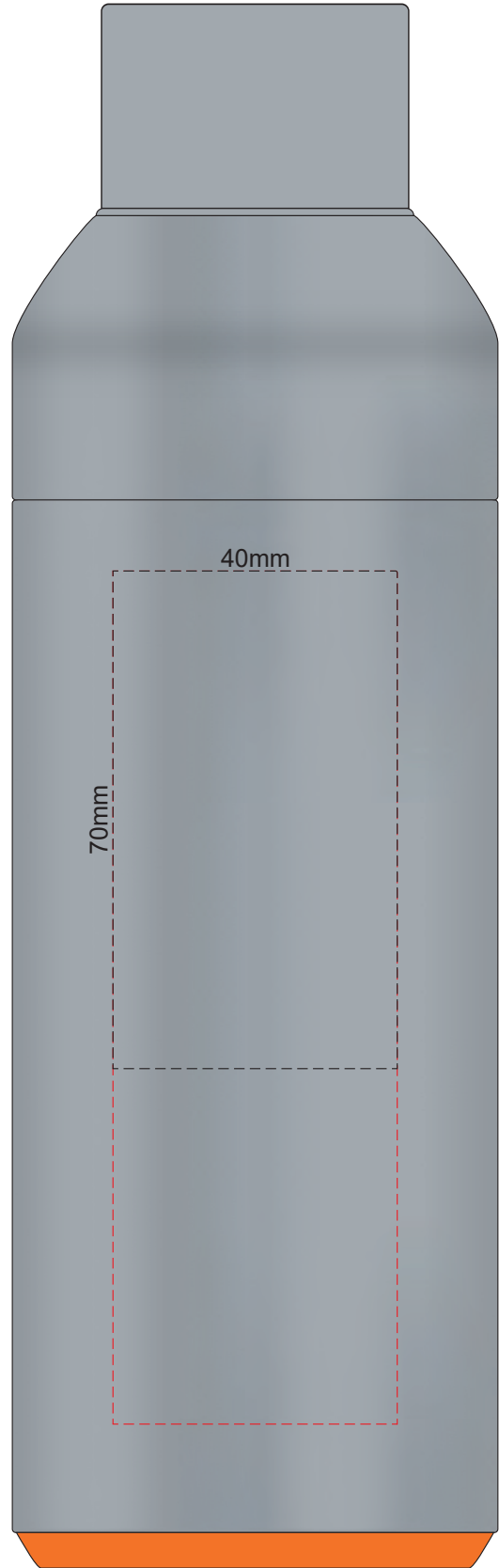
Branding area can be moved anywhere within the red line.



100% of Actual Size  
Laser Engraving

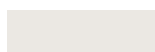


FRONT



BACK

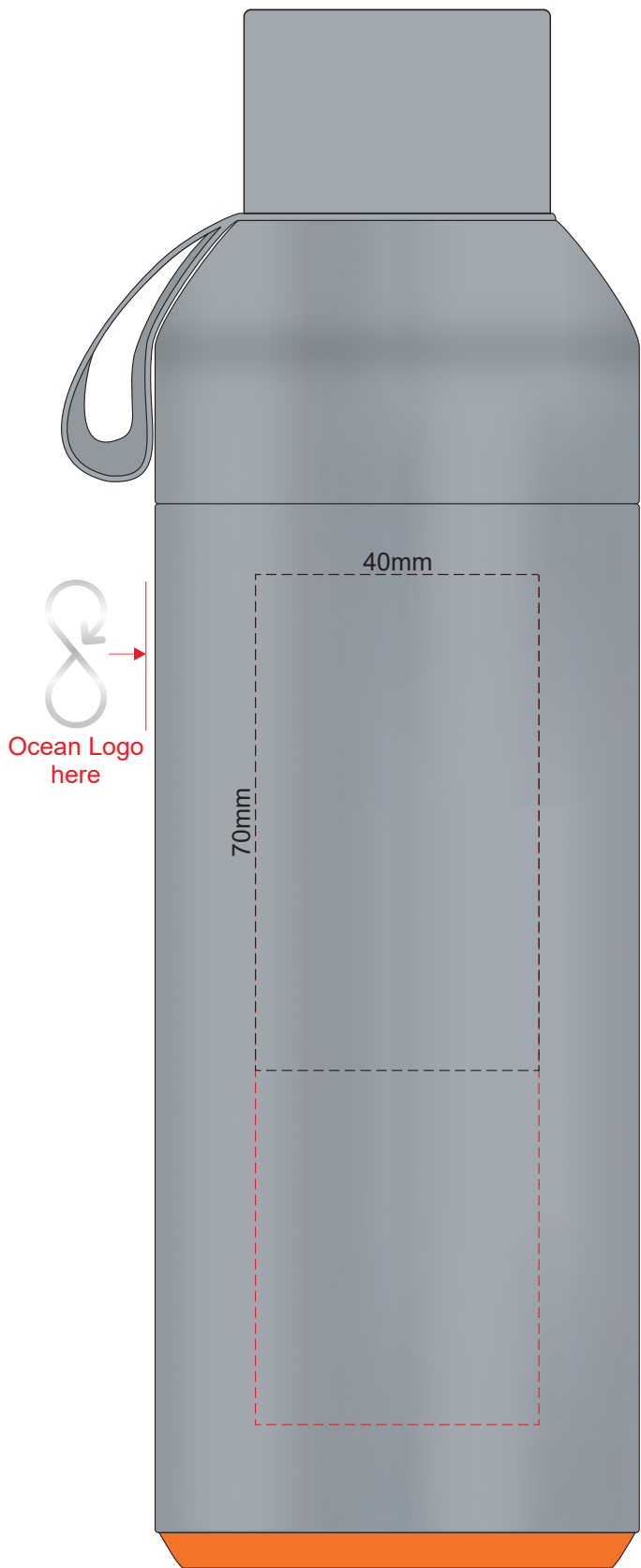
Branding area can be moved anywhere within the red line.



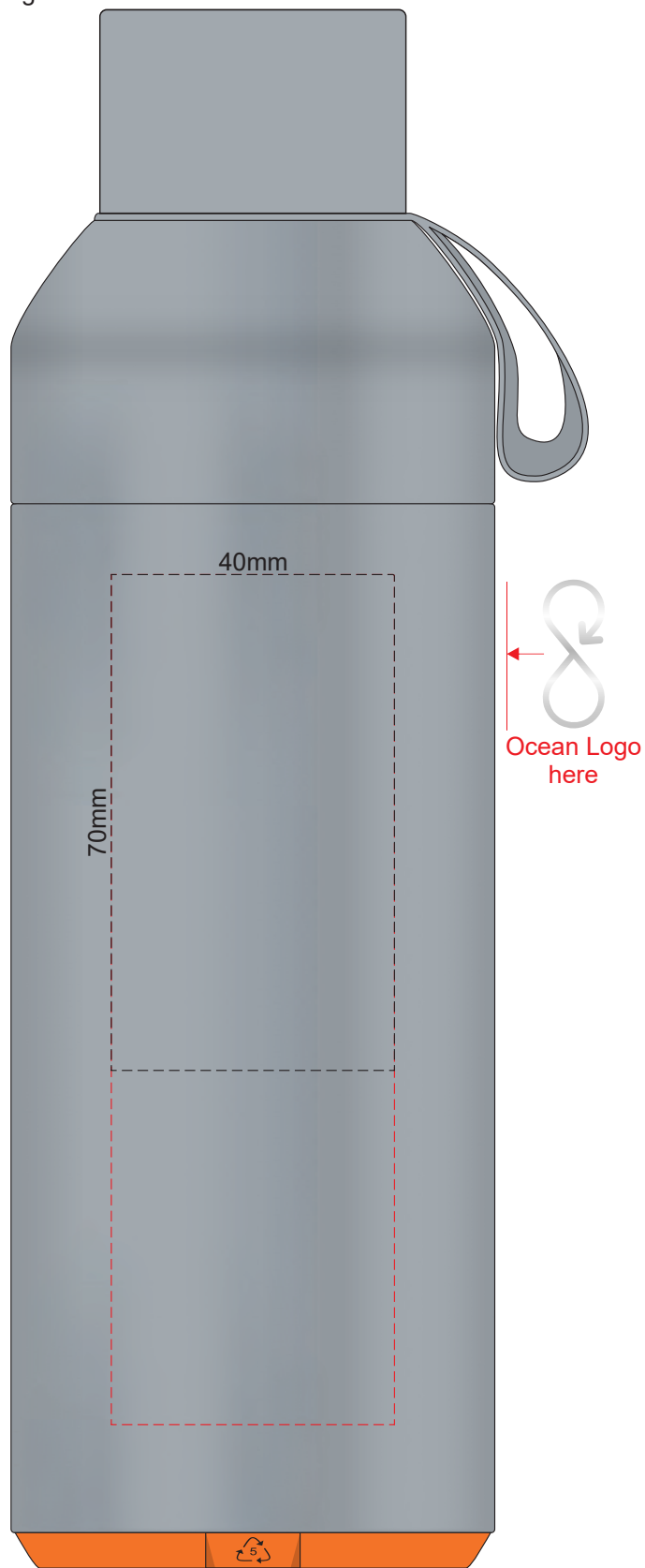
Shiny Stainless Steel Finish



100% of Actual Size  
Laser Engraving



SIDE 1



SIDE 2

Branding area can be moved anywhere within the red line.



Shiny Stainless Steel Finish